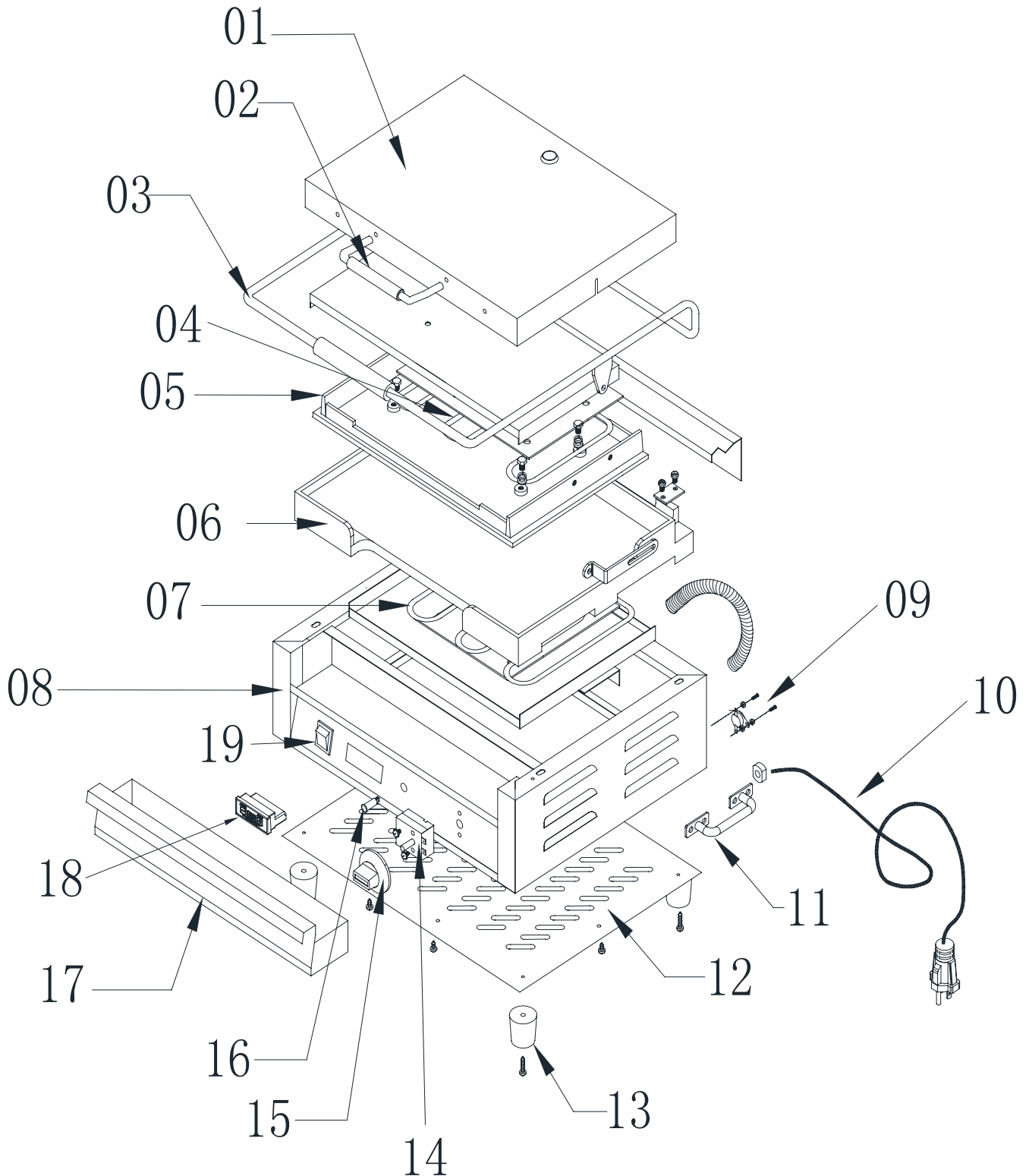


Parts Breakdown

Model PG-CN-0679-RT 42912



Parts Breakdown

Model PG-CN-0679-RT 42912

Item No.	Description	Position	Item No.	Description	Position	Item No.	Description	Position
64424	Lid for 42912	1	64429	Body for 42912	8	64412	Dial for 42912	15
64425	Small Handle for 42912	2	64407	Thermo Cut Out for 42912	9	64413	Indicator Light for 42912	16
64426	Big Handle for 42912	3	64408	Plug and Lead for 42912	10	64431	Oil Tray for 42912	17
64427	Top Element for 42912	4	64409	Side Handles for 42912	11	64414	Timer for 42912	18
73059	Top Cast Iron for 42912	5	64430	Bottom Plate for 42912	12	64415	On/Off Switch for 42912	19
73060	Bottom Cast Iron for 42912	6	64410	Rubber Foot for 42912	13	64416	Wire (per Meter) for 42912	
64428	Bottom Element for 42912	7	64411	Thermostat for 42912	14			